

**T840M SERIES**  
**Grade 1 handle lock**

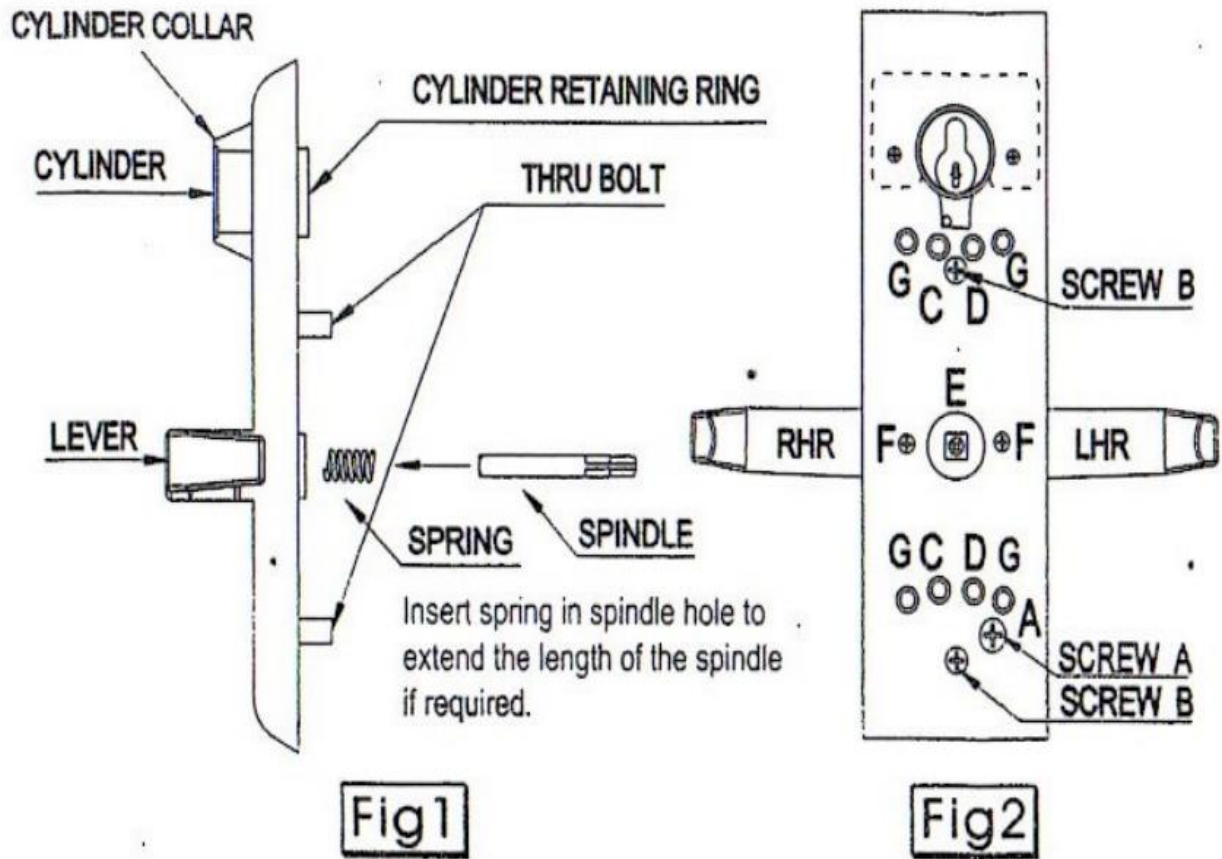


## Specifications

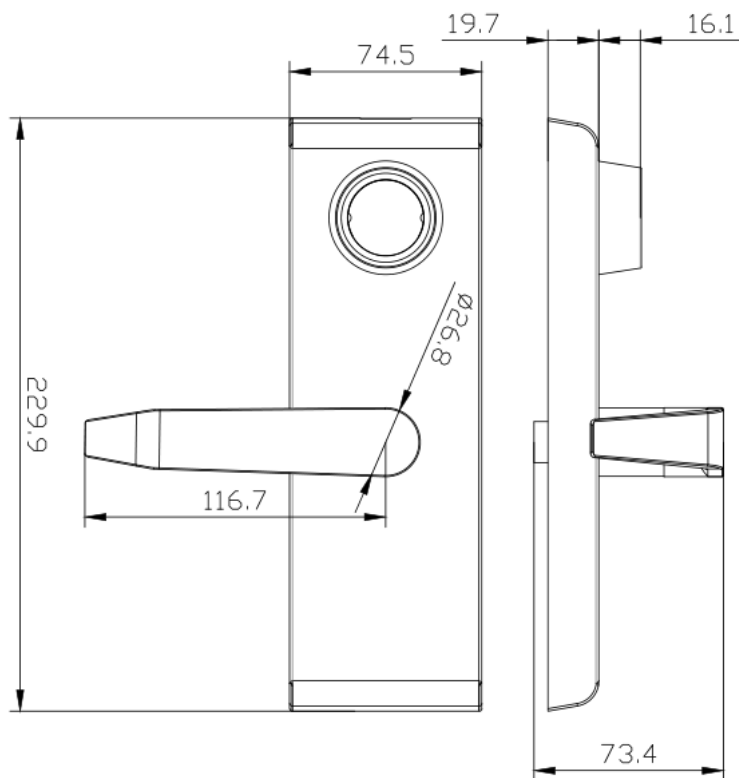
Non-handed Grade 1  
suitable for all Wide and Medium Stile Doors  
(aluminum framed, hollow metal, or wood)  
Material: Stainless steel  
Finish: satin polish  
Escutcheon Plate Width: 75mm ( 3" )  
Escutcheon Plate Height: 230mm ( 9" )  
Lever Projection: 51mm ( 2" )  
Lever Length: 125mm ( 5" )  
Lock Cylinder: Standard Schlage C Keyway  
Supplied with 3 keys  
ADA Compliant

### **CERTIFICATIONS:**

- ANSI/BHMA A156.3: 2020 STANDARD FOR EXIT DEVICES
- ANSI/UL 305-2012 STANDARD FOR SAFETY Panic Hardware
- 5 Years Warranty



**DIMENSIONS**



## Function Selection

T840M12SS: Storeroom; outside lever should remain locked at all times

T840M13SS: Classroom; inside lever is always operable and free for egress.

T840M14SS: Passage; Trim always will open and close by simply turning the knob or lever

Code	Material	Packing	Carton size
T840M	Ss304	10 sets/ctn	43.5*25*19.5 cm 9 ( 18**10**8" )

## Installation methods

