

## T341 SERIES

Grade 1 panic device



## Specifications

Type: American Style, Push bar, Rim Type, UL listed. ANSI/BHMA Grade 1 Panic Exit Device, confirm to UL 10C 3 hours fire test.

Material: Steel or Stainless Steel.

Length: 1045mm Standard, could be customized .Non-handed ,for LH or RH doors.

Master Key System are available.

40" Nominal Length for 42" Door

Size of head 6"(153mm) x 1.5"(40mm) W For minimum of 3" Stile Door

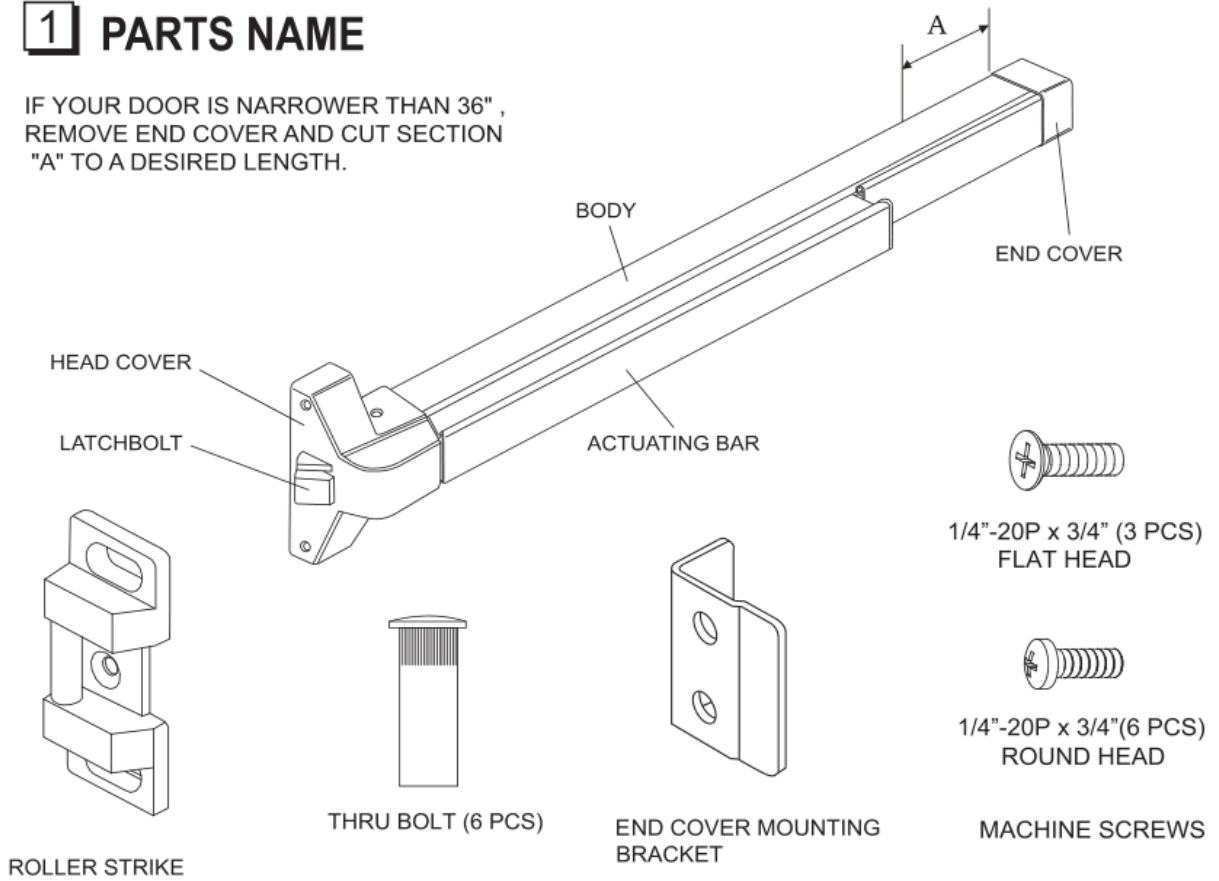
Device can be cut up to 27"

### CERTIFICATIONS:

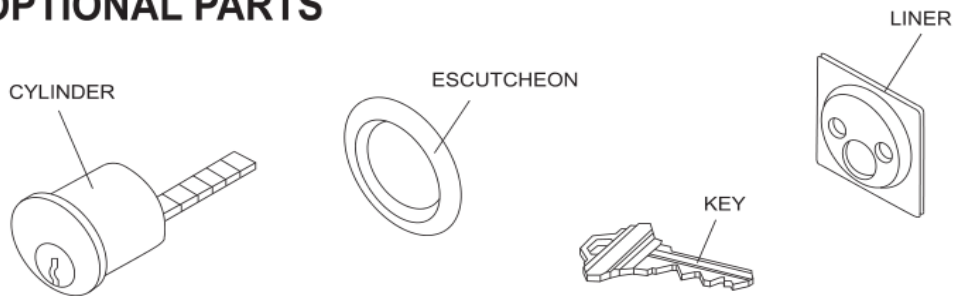
- ANSI/BHMA Grade 1
- UL/cUL Listed for up to 3 hours
- UL10C Positive Pressure Rated
- UL10B Neutral Pressure Rated(This clause should be for the door)
- Lifetime Warranty

# 1 PARTS NAME

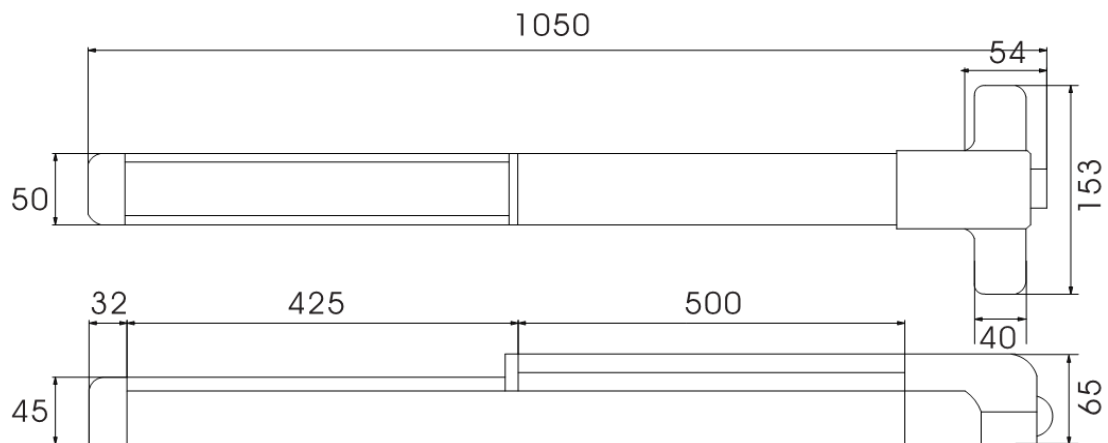
IF YOUR DOOR IS NARROWER THAN 36", REMOVE END COVER AND CUT SECTION "A" TO A DESIRED LENGTH.



# 2 OPTIONAL PARTS



# DIMENSIONS



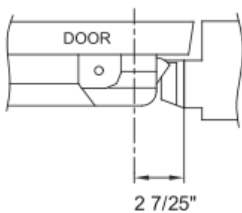
## TECHNICAL INFORMATION & FUNCTION

Width of push bar ( mm ) Max.	1045mm Standard, could be customized	
Material	Steel or Stainless Steel 304	
Hand Operation	No- handed	
UL Listed	Yes	
UL 3 Hours Fire Rated	Yes	
Finish	Stainless Steel. Electroplating is available at additional cost	
ANSI/BHMA A156.3 -2014 Grade 1	Yes	
Applicability	Can be used for left and right-hand doors	
Accessories:	Fixing screws, end cover, striker	
Usage Locations	Apply to door for fire protection, smoke ventilation.	
Dimension of Main Body (mm)	Length	1045, could be customized
	Width	154
	Height	63
Weight ( kg )	4.08 kg	
Passed Durability Test	500,000 cycles	

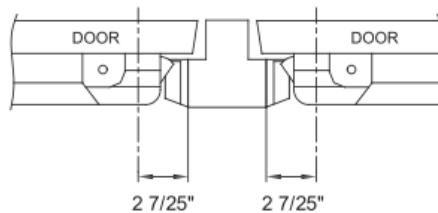
Code	Material	Packing	Carton size
T341	Steel or SS304	6 sets/ctn	106*35.5*27.5 cm

## Installation methods

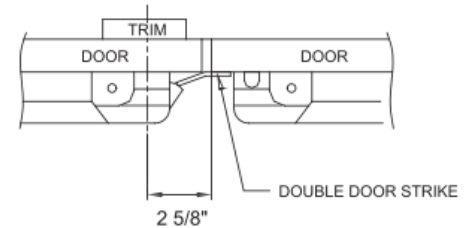
A. SINGLE DOOR



B. DOUBLE DOOR WITH MULLION



C. DOUBLE DOOR WITHOUT MULLION



## Unit adjustment

### 9 OPERATION TEST

PRESS DOWN THE ACTUATING BAR.  
OPEN AND CLOSE DOOR A FEW  
TIMES AFTER INSTALLATION  
COMPLETED

