

T341 SERIES

Grade 1 panic device



Specifications

Type: Push bar, Rim Type, UL listed. ANSI/BHMA Grade 1 Panic Exit Device, confirm to UL 10C 3 hours fire test.

Material: Steel or Stainless Steel.

Length: 1045mm Standard, could be customized. Non-handed ,for LH or RH doors.

Master Key System are available.

40" Nominal Length for 42" Door

Size of head 6"(153mm) x 1.5"(40mm) W For minimum of 3" Stile Door

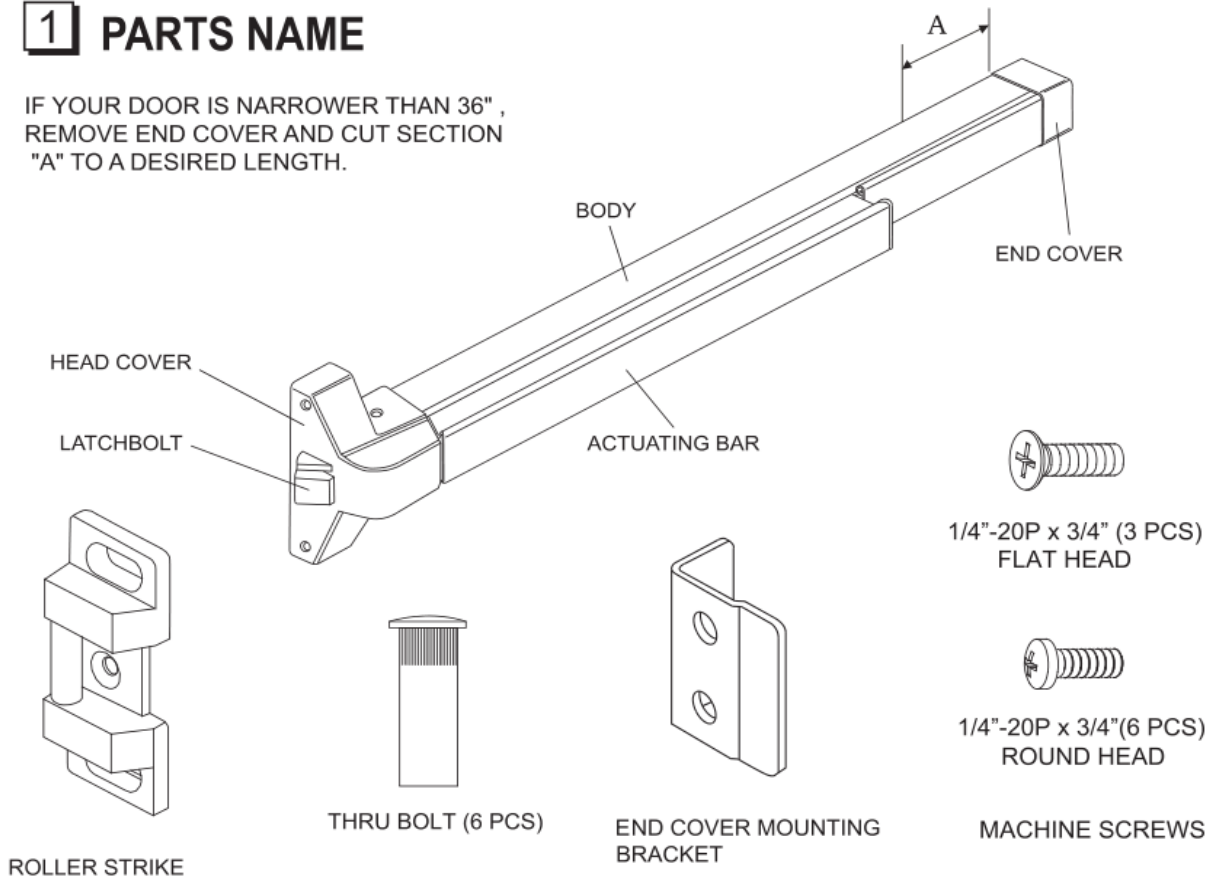
Device can be cut up to 27"

CERTIFICATIONS:

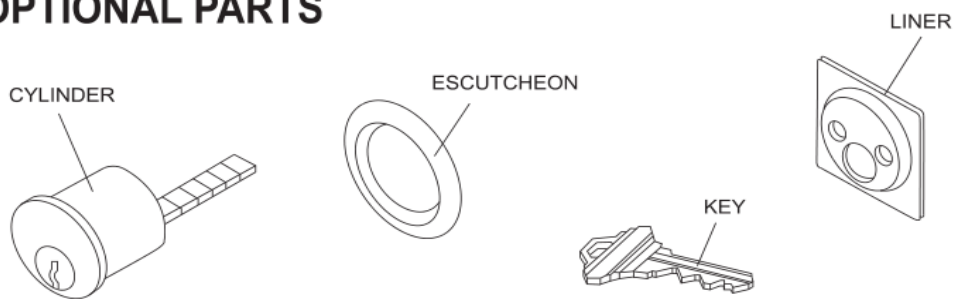
- ANSI/BHMA Grade 1
- UL/cUL Listed for up to 3 hours
- UL10C Positive Pressure Rated
- UL10B Neutral Pressure Rated(This clause should be for the door)
- Lifetime Warranty

1 PARTS NAME

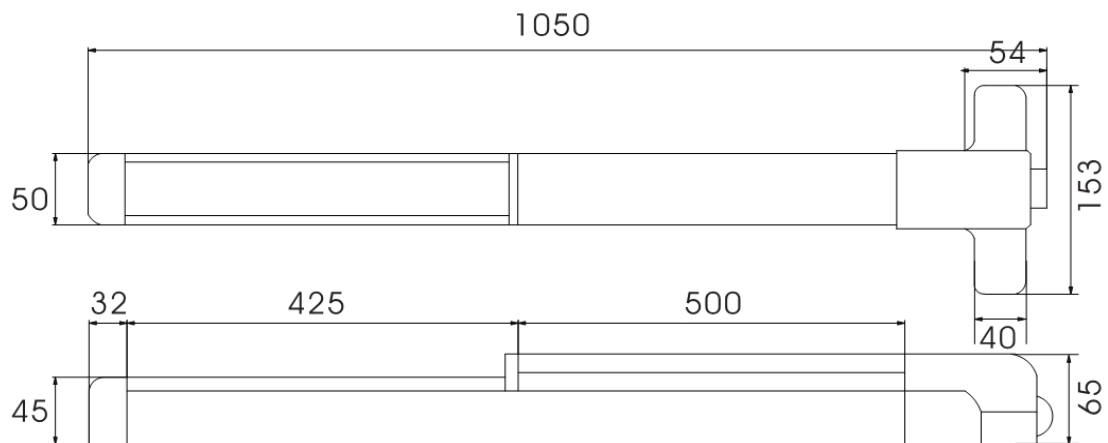
IF YOUR DOOR IS NARROWER THAN 36", REMOVE END COVER AND CUT SECTION "A" TO A DESIRED LENGTH.



2 OPTIONAL PARTS



DIMENSIONS



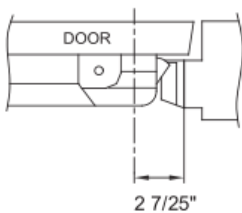
TECHNICAL INFORMATION & FUNCTION

Width of push bar (mm) Max.	1045mm Standard, could be customized	
Material	Steel or Stainless Steel 304	
Hand Operation	No- handed	
UL Listed	Yes	
UL 3 Hours Fire Rated	Yes	
Finish	Stainless Steel. Electroplating is available at additional cost	
ANSI/BHMA A156.3 -2014 Grade 1	Yes	
Applicability	Can be used for left and right-hand doors	
Accessories:	Fixing screws, end cover, striker	
Usage Locations	Apply to door for fire protection, smoke ventilation.	
Dimension of Main Body (mm)	Length	1045, could be customized
	Width	154
	Height	63
Weight (kg)	4.08 kg	
Passed Durability Test	500,000 cycles	

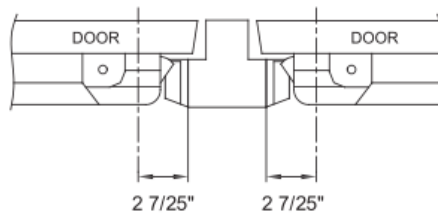
Code	Material	Packing	Carton size
T341	Steel or SS304	6 sets/ctn	106*35.5*27.5 cm

Installation methods

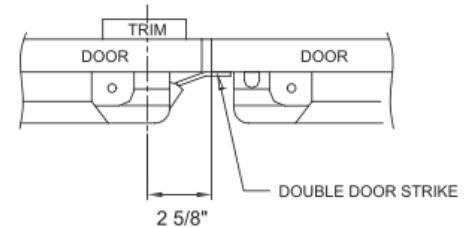
A. SINGLE DOOR



B. DOUBLE DOOR WITH MULLION



C. DOUBLE DOOR WITHOUT MULLION



Unit adjustment

9 OPERATION TEST

PRESS DOWN THE ACTUATING BAR.
OPEN AND CLOSE DOOR A FEW
TIMES AFTER INSTALLATION
COMPLETED

