

R403 SERIES

Grade 1 Cast Iron Door Closer

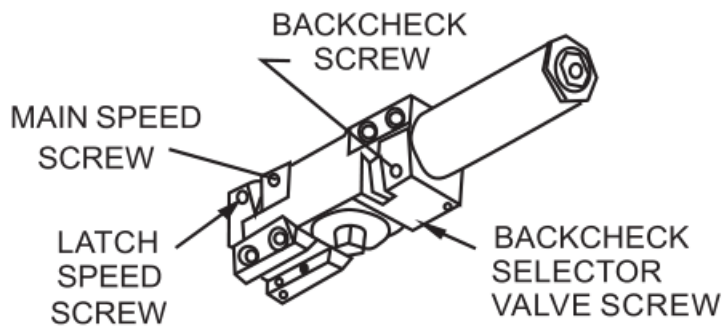
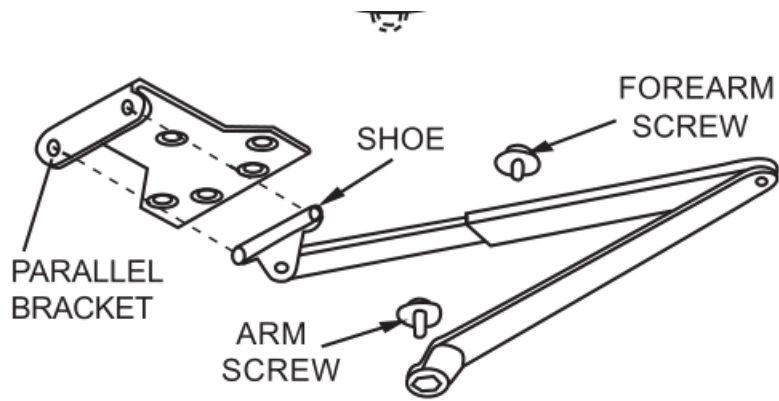


Specifications

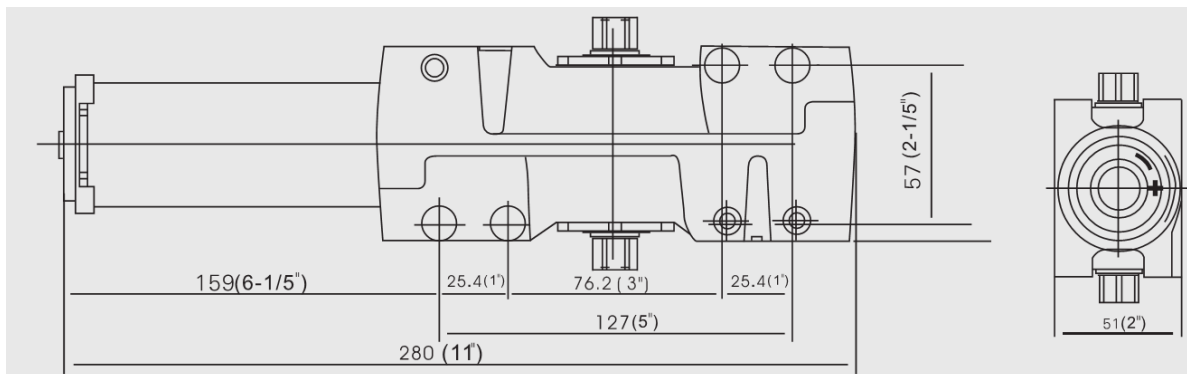
Heavy Duty Grade 1 Cast Iron Door Closer for Commercial Doors.
UL Certified ,2 Million Cycles in Endurance
Precise Cast Iron Body & Forged Steel Arm, Hold Open Arm Optional.
Adjustable Closing & Latching Speed. Adjustable Back-Check, Delay Action
Optional. Precision Heavy Duty Rack (Piston) & Pinion Gear, Needle Bearing.
Decorative Plastic Cover & Stainless Steel Cover Optional.
Barrier Free, Lower opening resistance for the handicapped / Elderly.
To maximize hinge life and achieve ADA compliance. Gaab recommends the use of
anti-friction or ball bearing hinges.
Ideal for schools, hospitals, and other high-traffic environments.

CERTIFICATIONS:

- BHMA Certified ANSI A156.4, adjustable size1-6
- ADA compliant ANSI A117.1 Accessibillity Code
- UL/cUL Listed for up to 3 hours (Non Rated for Hold Open)
- UL10C Positive Pressure Rated
- UL10B Neutral Pressure Rated(This clause should be for the door)
- 5 Years Warranty



DIMENSIONS



TECHNICAL INFORMATION & FUNCTION

Width of Door (mm) Max.	1400mm (55 Inches)
Weight of Door (kg)	15-150kg (30 to 330 lbs)
Back check Function	Yes
Delay action Function	Coming Soon
Max. Open Angle	180°
Hold -Open	Optional (with Hold Open Arm)
Closing Speed Adjustment	Adjustable 1-6
Applicable Temperature	-30°C To 60°C
Applicability	Can be used for left and right-hand High Traffic doors
Various	Aluminum, Dark Bronze, Black Matte

Finish		689 AL, 690 DRB, 622 BLKM
Dimension of Main Body (mm)	Length	280 (11")
	Width	70 (2.75")
	Height	51 (2")
Weight (kg)		5.42kg (12 LBS)
Passed Durability Test		2,000.000 cycles

Code	Material	Packing	Carton size
R403	Iron	4 sets/ctn	34.5*23*23 cm (13.5*9*9)

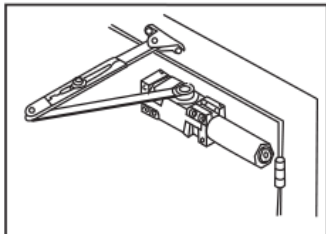
Model	Width of Door (mm)	Weight of the Door	Power Size
R403	750-1400 (30"-55")	15-150 kg / 33-330 lbs	Multi size 1-6

CROSS REFERENCES

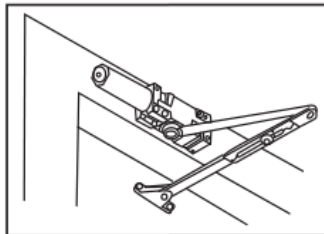
NORTON	CORBIN	DORMA	HAGER	LCN	RUSSWIN	SARGENT	YALE	DOOR-O-MATIC
9500	DC3000	8900	5100	4041	6200	281/351	4400	SC70

Installation methods

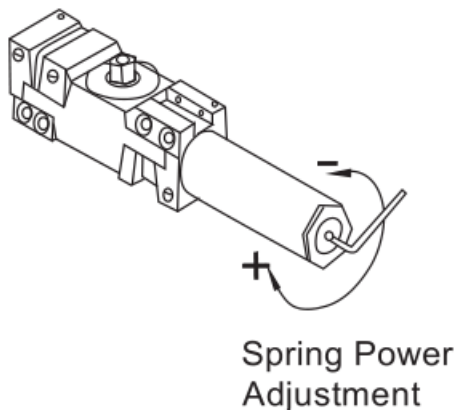
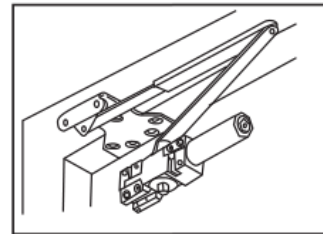
STANDARD MOUNT
(PULL SIDE)



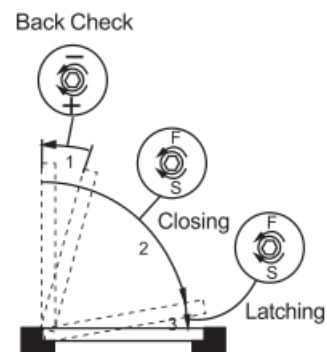
TOP JAMB MOUNT
(PUSH SIDE)



PARALLEL MOUNT
(PUSH SIDE)



CONTROL RANGE



Optional Arms:

Heavy Duty Arm

Heavy Duty Hold Open Arm