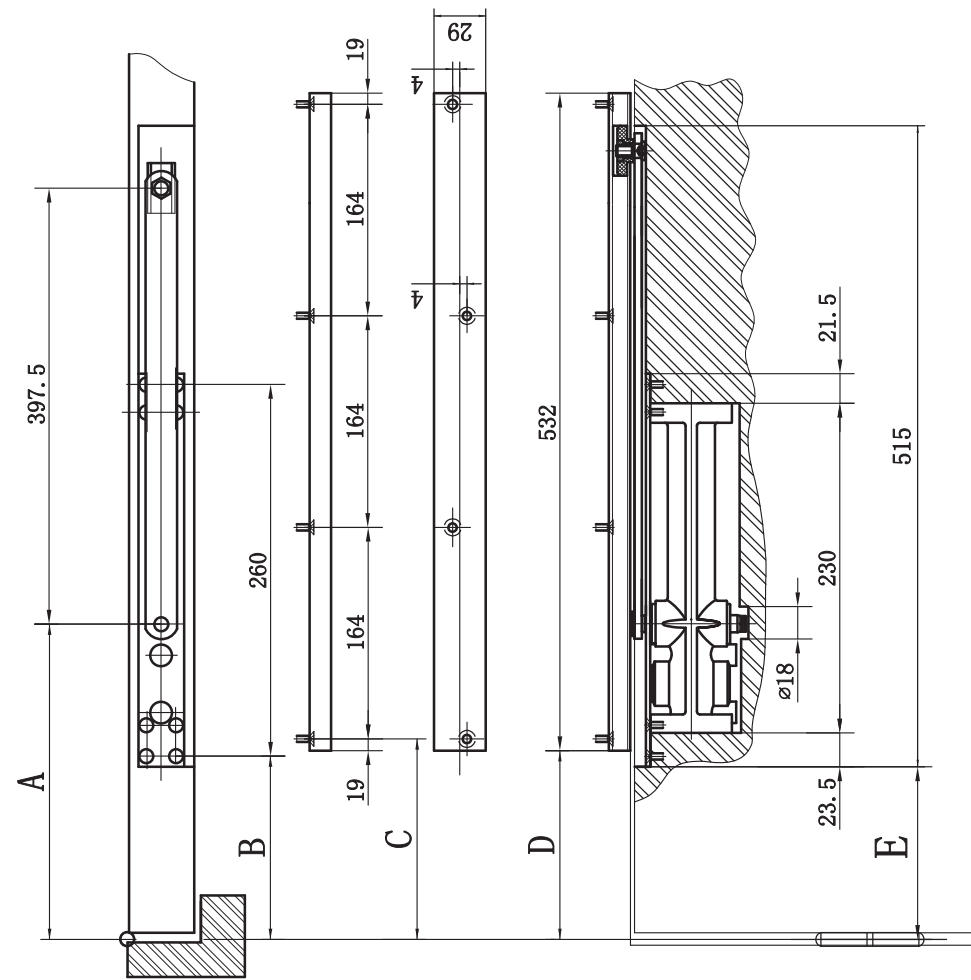


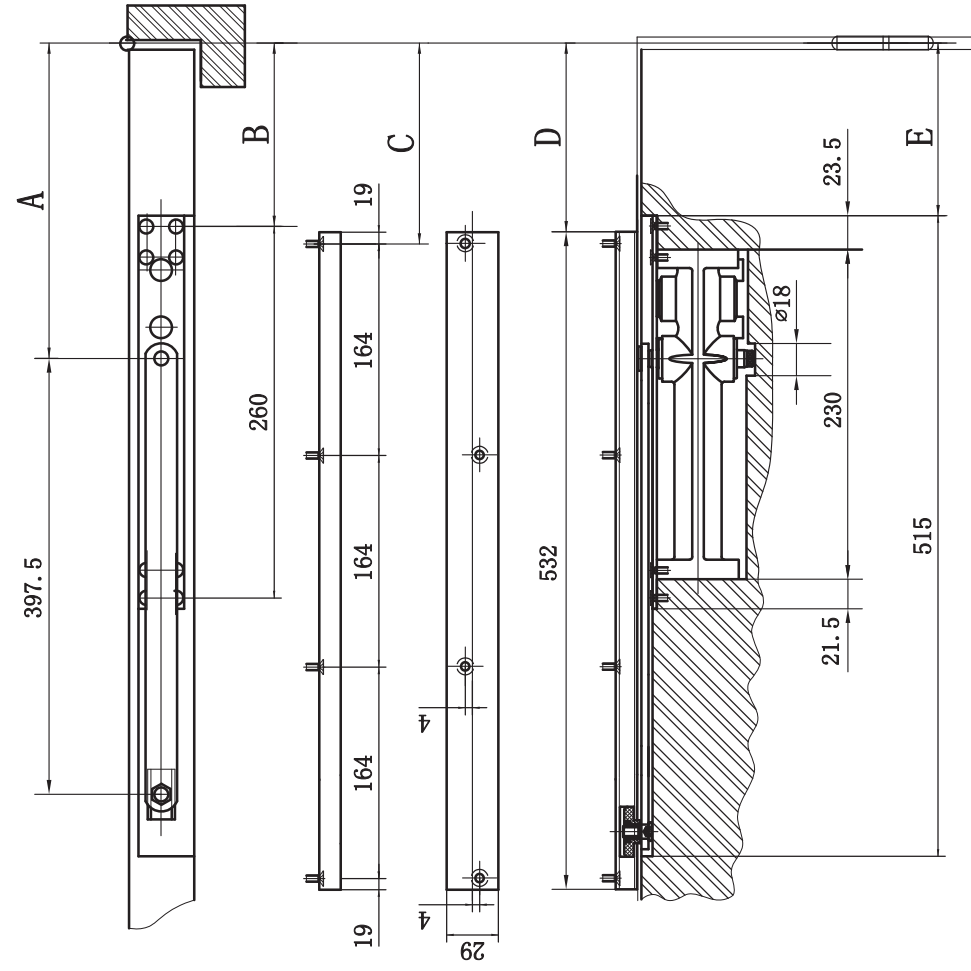
Left-Hand Door Installation

(Installation of the main body of the "L" printing end up)

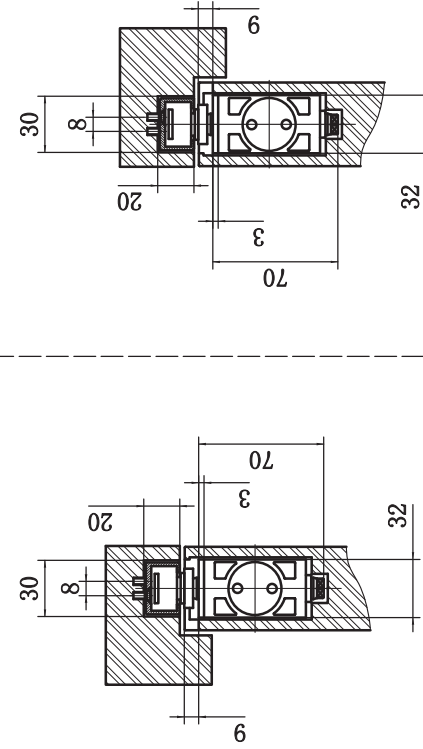


Right-Hand Door Installation

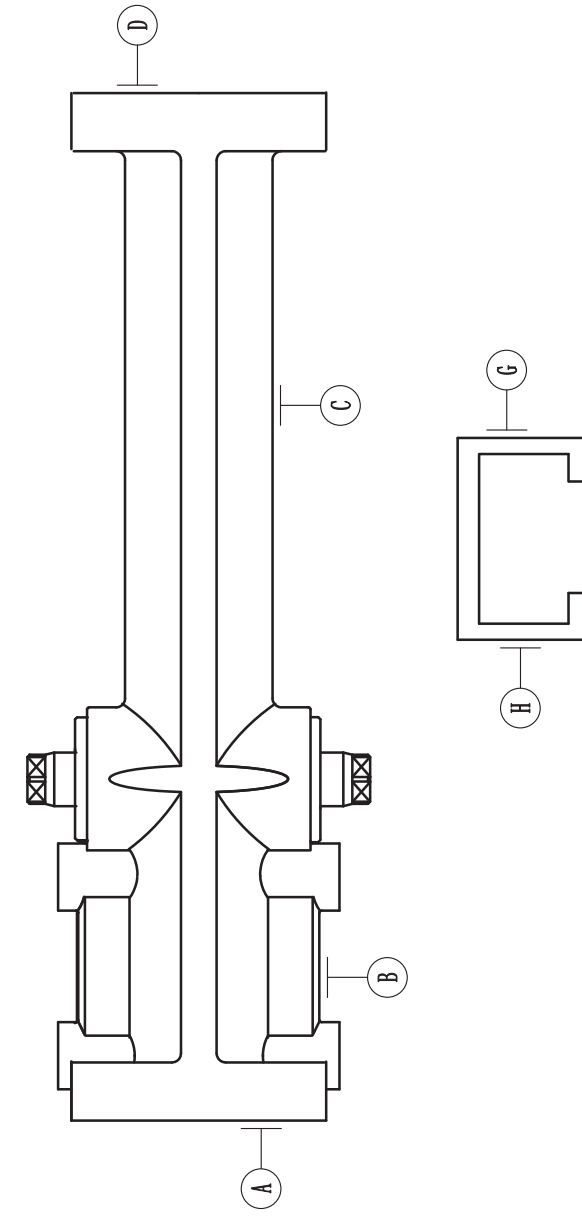
(Installation of the main body of the "R" printing end up)



ITEM	DIMENSION				
103	A	B	C	D	E
	255	162.5	177	157	154

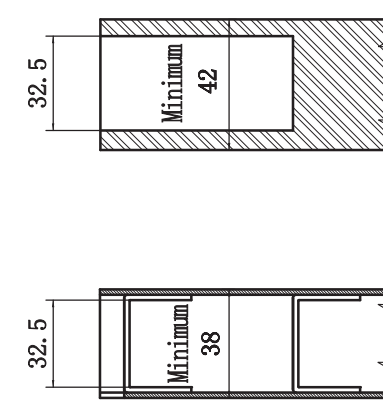


Heat insulator must be able to keep in 1/2 hour, while meeting fire-prevention requirements.



Heat insulator filling dimension

- A= 30×55
- B= 60×30
- C= 115×30
- D= 30×55
- E= 13×456
- H= 13×456



Metal Door

Wooden Door

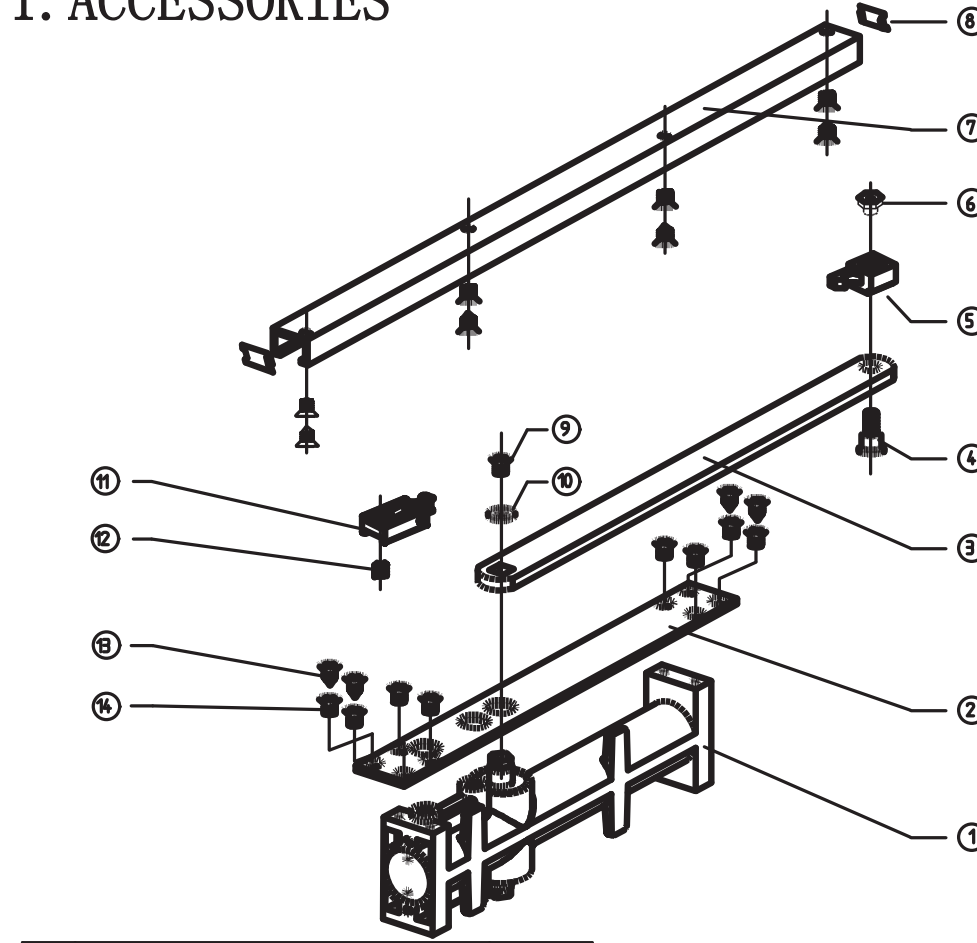
Gently adjust two valves until satisfactory, while two other invalid valves must be closed before installation.

- Width is only 32mm, suit for all kinds doors' installation.
- Specially designed for both Left-Hand Door and Right-Hand Door.
- Two separate valves with adjustable closing/latching speed.
- Optional Hold-open or Non-Hold-open.

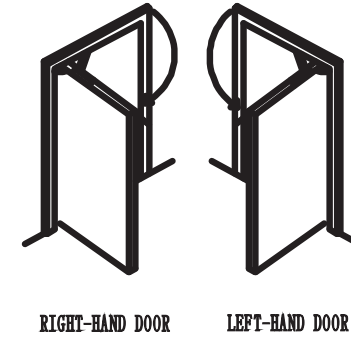
Item	Suit for max door weight (kg)	Max. Door Width (mm)
103	40-65	950

CONCEALED DOOR CLOSER INSTALLATION AND INSTRUCTION

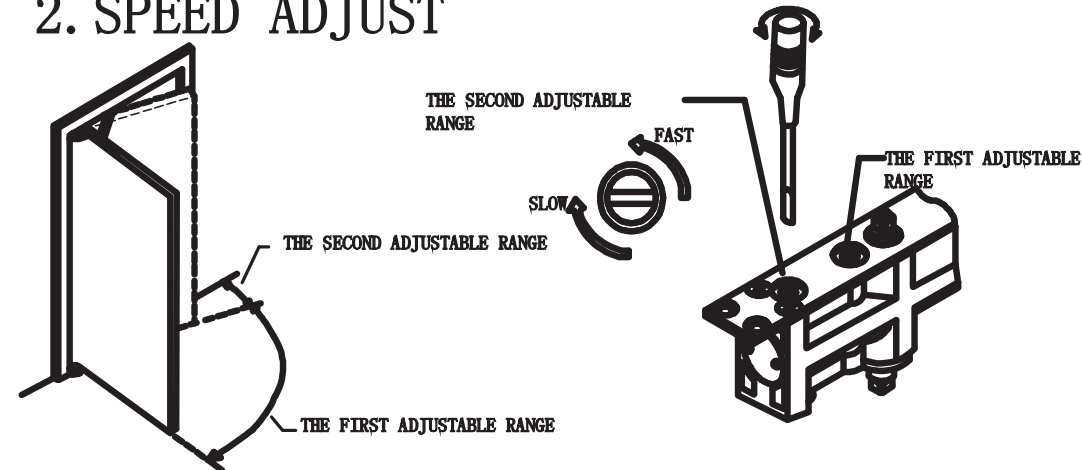
1. ACCESSORIES



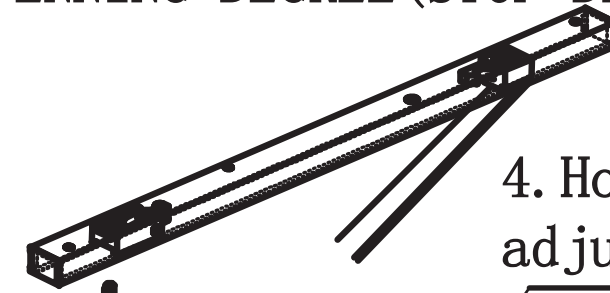
NO	ACCESSORY	QUANTITY
①	BODY	1
②	STATOR	1
③	ARM	1
④	SCREW	1
⑤	SLIDE PIN	1
⑥	SCREW	1
⑦	SLIDE RAIL	1
⑧	SLIDE PALLET	2
⑨	SCREW M5×12	1
⑩	GASKET	1
⑪	STATOR PALLET	1
⑫	HEXAGON SOCKET SERREW M8×12	1
⑬	SCREW ST4. 8×25	8
⑭	SCREW M5×14	12



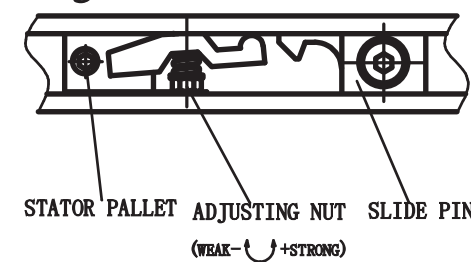
2. SPEED ADJUST



3. OPENING DEGREE (STOP DEGREE)

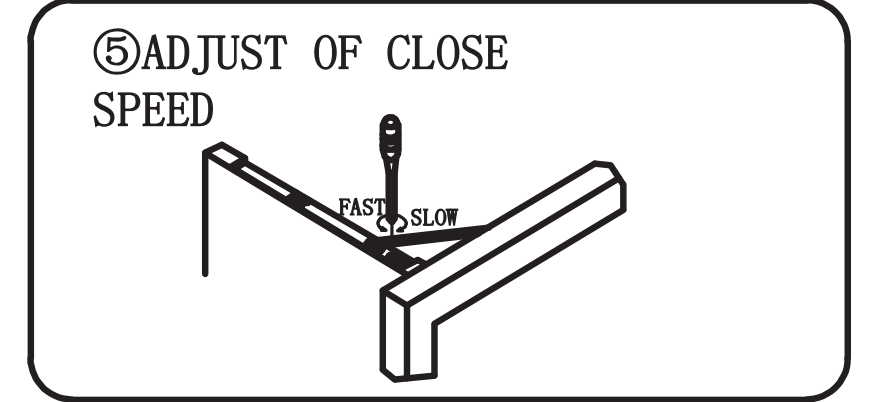
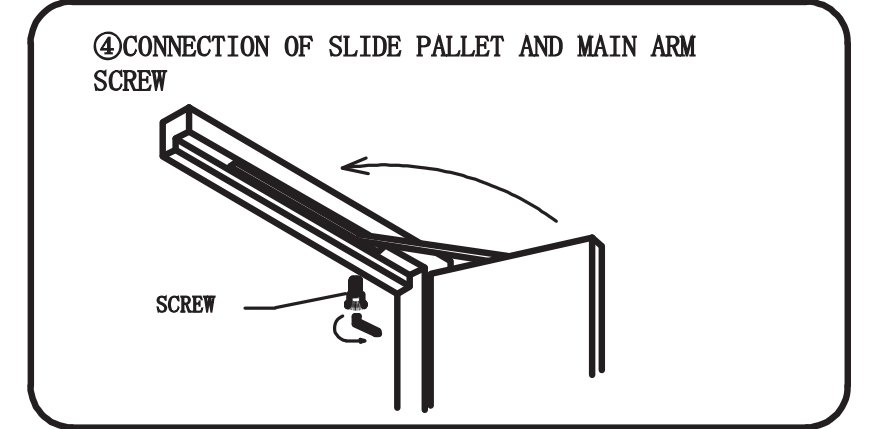
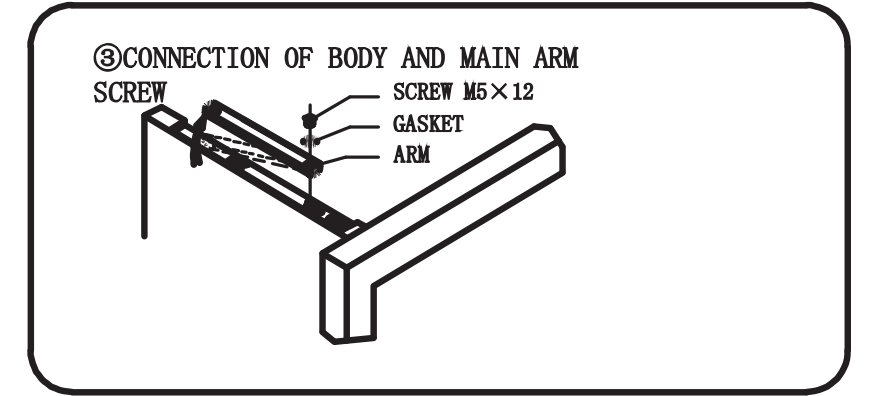
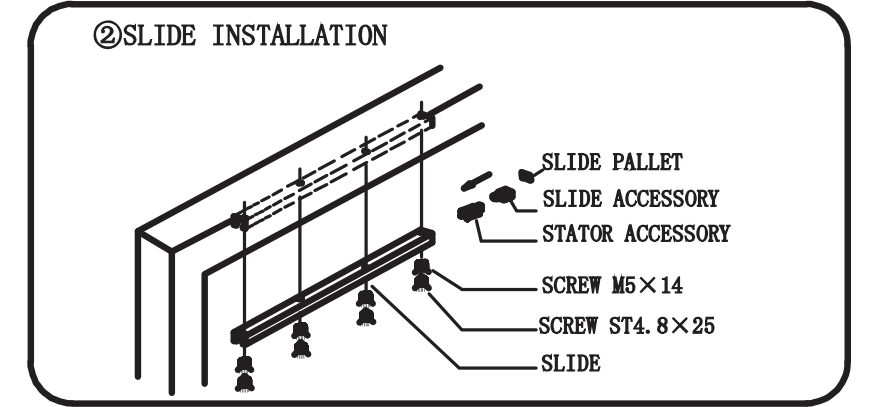
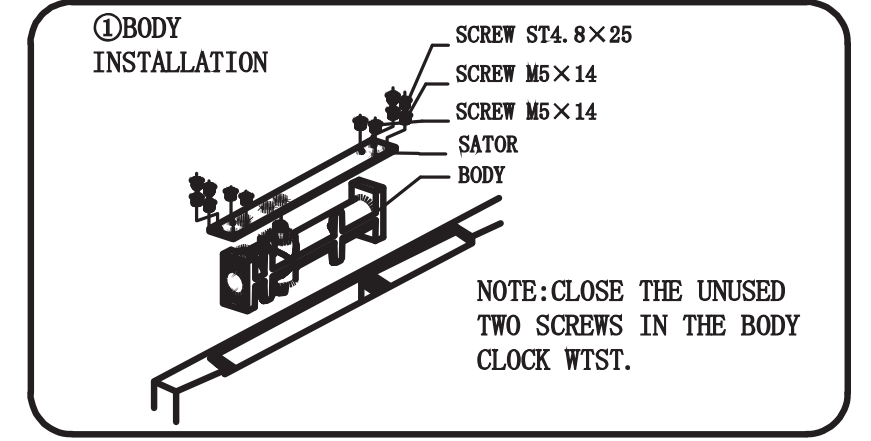


4. Hold Open angle adjustment

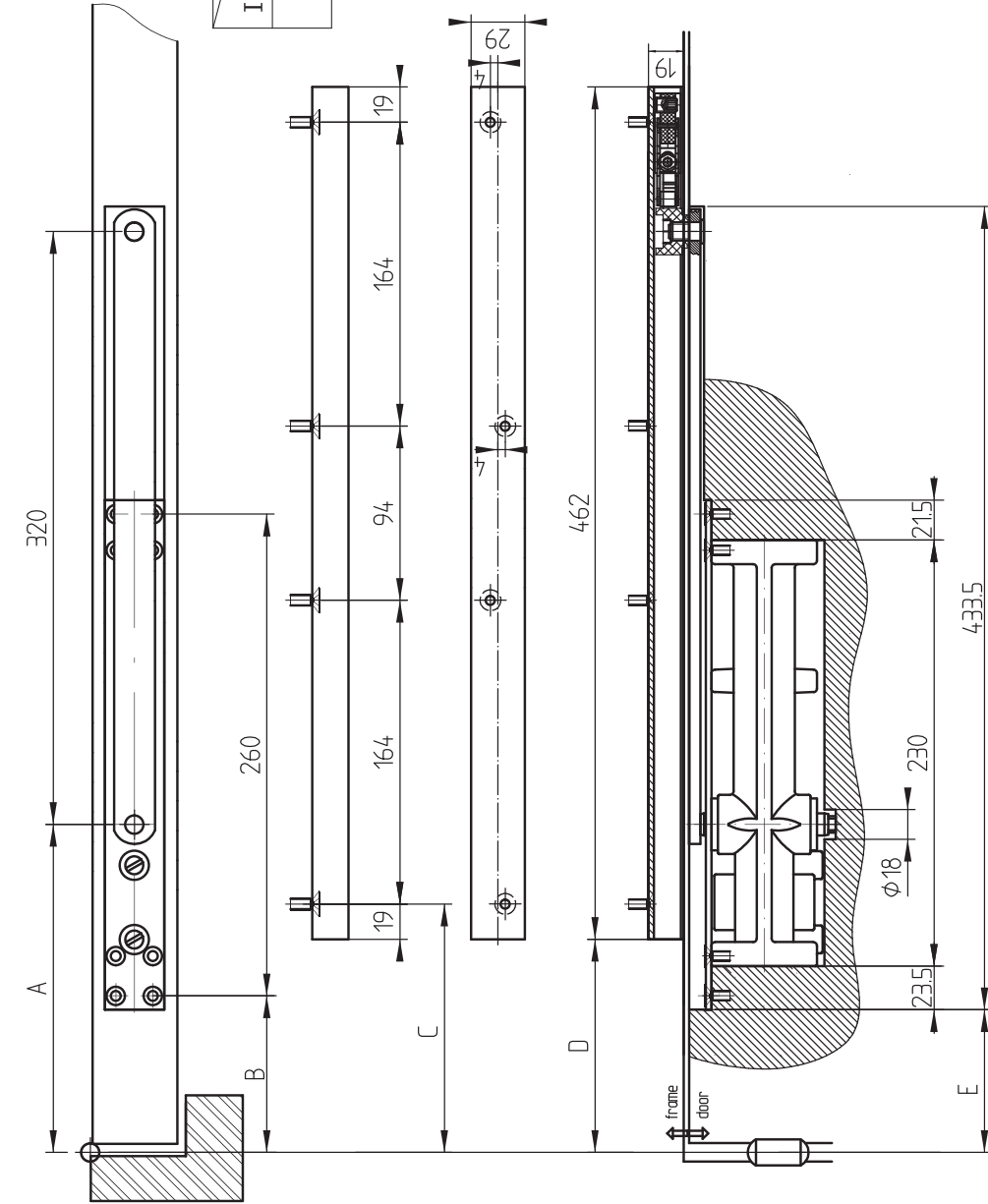


NOTE: OPEN THE DOOR TO THE DEGREE NEEDED, FASTEN THE SCREW. IF IT IS NON-HOLD OPED (STOP), LOOSEN THE SCREW.

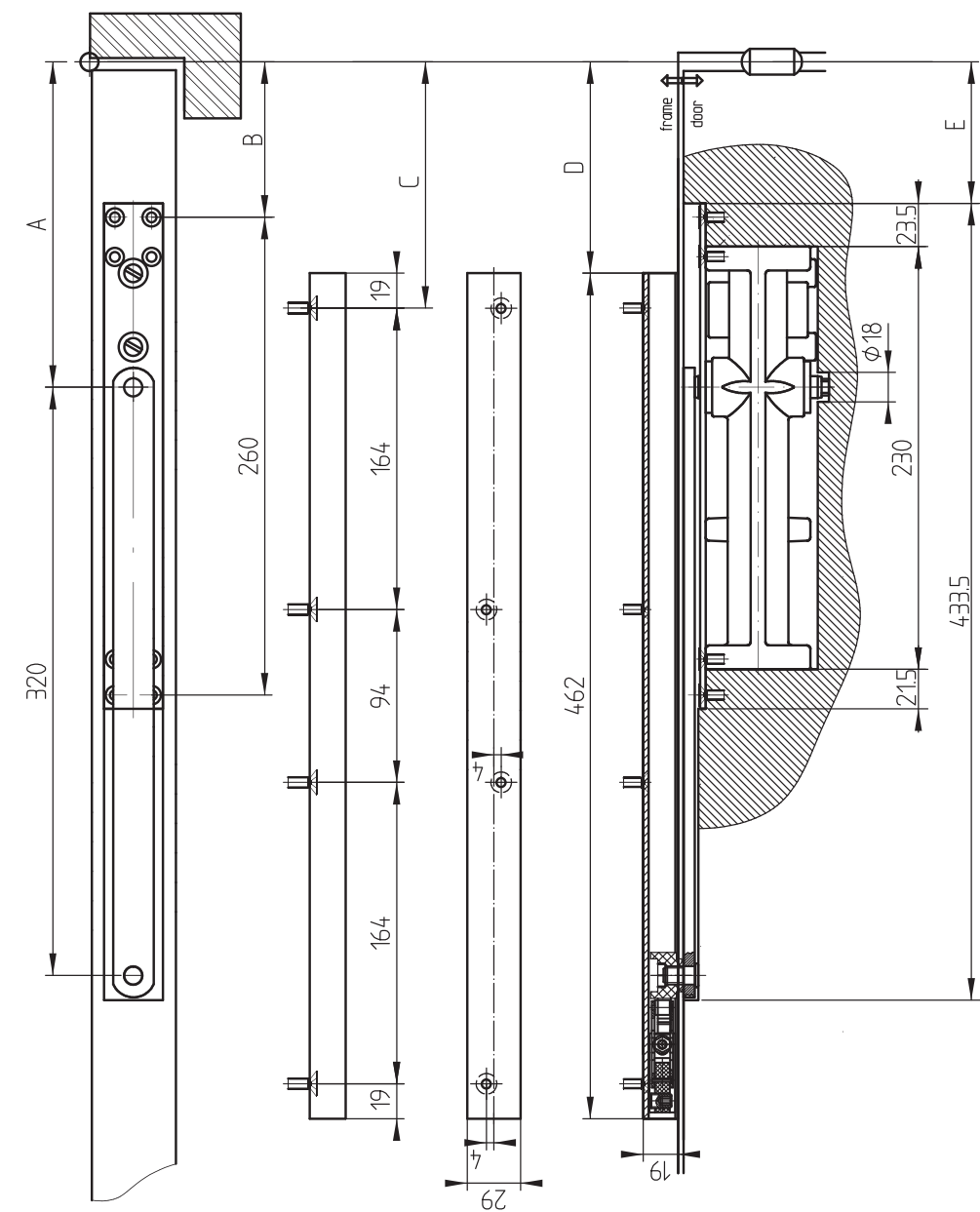
5. Installation Steps (LEFT-HAND DOOR AND RIGHT-HAND DOOR)



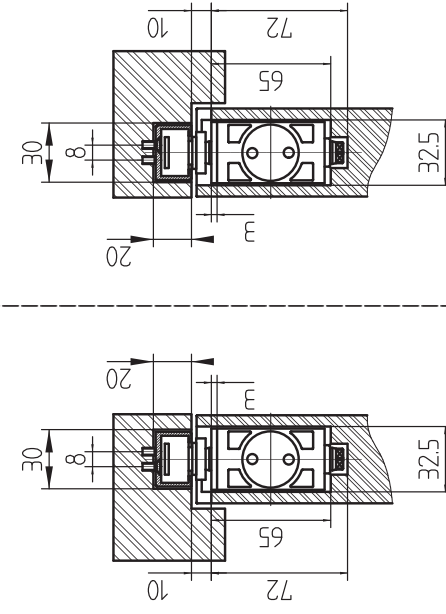
Left-Hand Door Installation



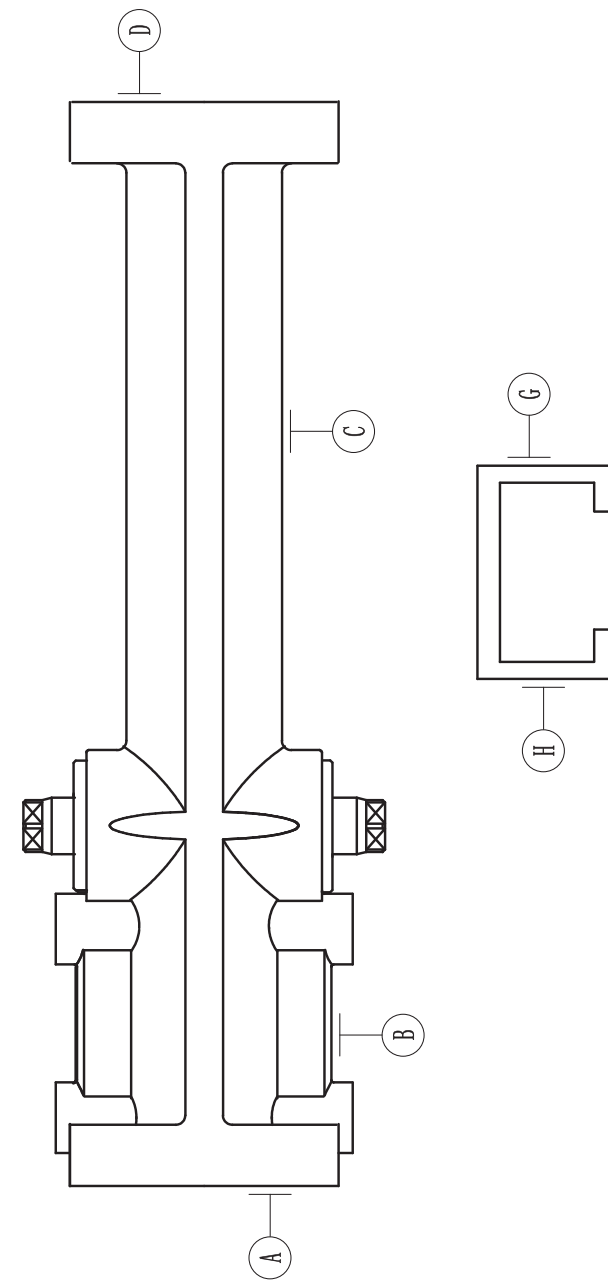
Right-Hand Door Installation



ITEM	103	A	B	C	D	E
DIMENSION	177	84.5	134	115	77	

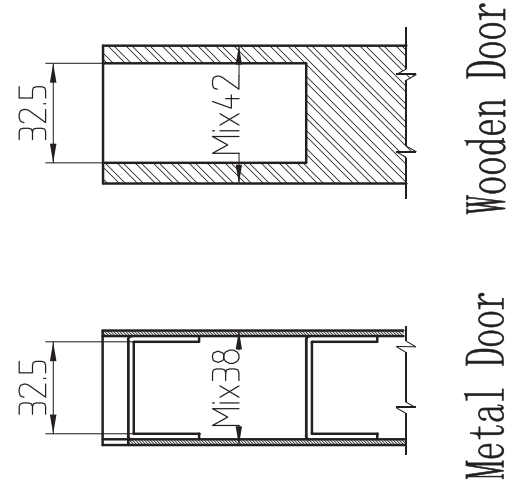


Heat insulator must be able to keep in 1/2 hour, while meeting fire-prevention requirements.



Heat insulator filling dimension

- A=30×55
- B=60×30
- C=115×30
- D=30×55
- E=13×456
- F=13×456

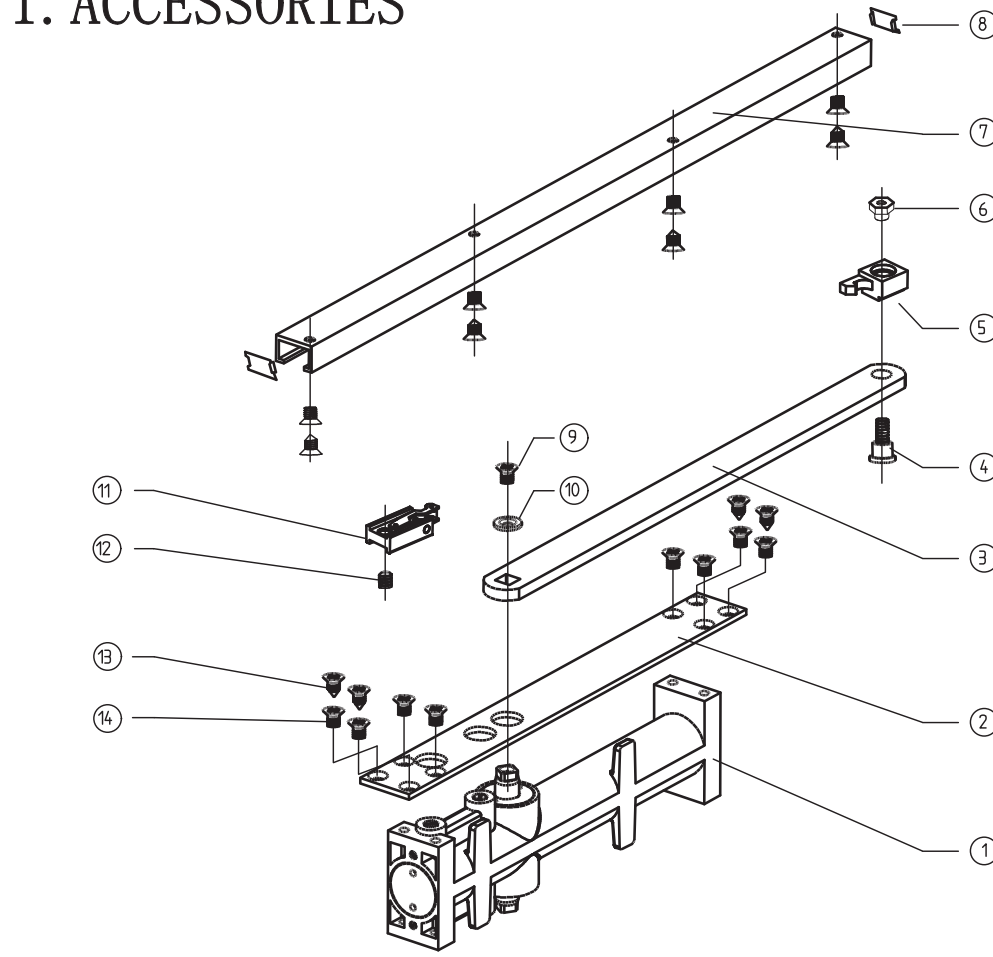


Wooden Door
Metal Door

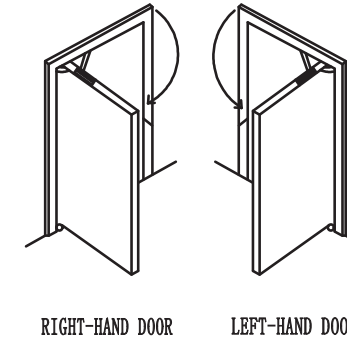
- Gently adjust two valves until satisfactory, while two other invalid valves must be closed before installation.
- Width is only 32mm, suit for all kinds doors' installation.
- Specially designed for both Left-Hand Door and Right-Hand Door.
- Two separate valves with adjustable closing&latching speed.
- Optional Hold-open or Non-Hold-open.

CONCEALED DOOR CLOSER INSTALLATION AND INSTRUCTION

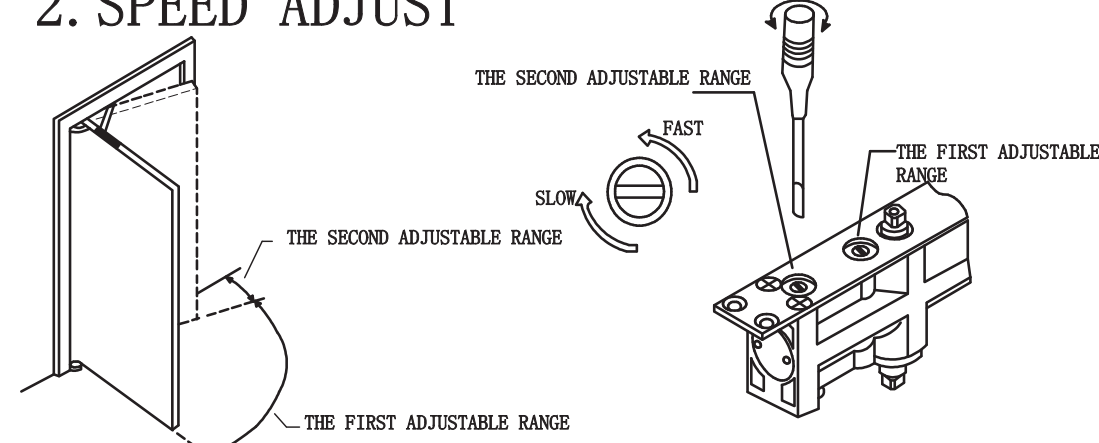
1. ACCESSORIES



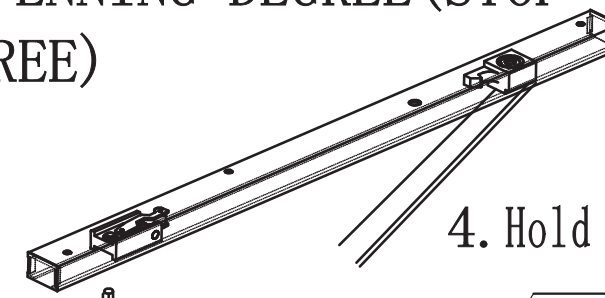
NO	ACCESSORY	QUANTITY
①	BODY	1
②	STATOR	1
③	ARM	1
④	SCREW	1
⑤	SLIDE PIN	1
⑥	SCREW	1
⑦	SLIDE RAIL	1
⑧	SLIDE PALLET	2
⑨	SCREW M5×12	1
⑩	GASKET	1
⑪	STATOR PALLET	1
⑫	HEXAGON SOCKET SEREW M8×12	1
⑬	SCREW ST4.8×25	8
⑭	SCREW M5×14	12



2. SPEED ADJUST

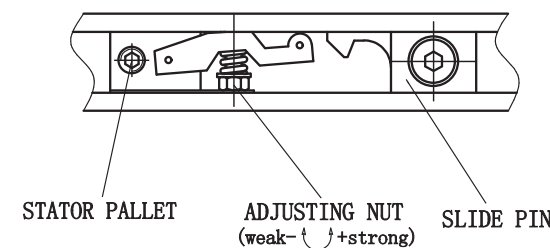


3. OPENNING DEGREE (STOP DEGREE)



NOTE: OPEN THE DOOR TO THE DEGREE NEEDED, FASTEN THE SCREW. IF IT IS NON-HOLD OPED (STOP), LOOSEN THE SCREW.

4. Hold Open angle adjustment



5. BODY INSTALLATION FOR LEFT-HAND DOOR AND RIGHT-HAND DOOR

